

WOOFER GDN 20/80/3

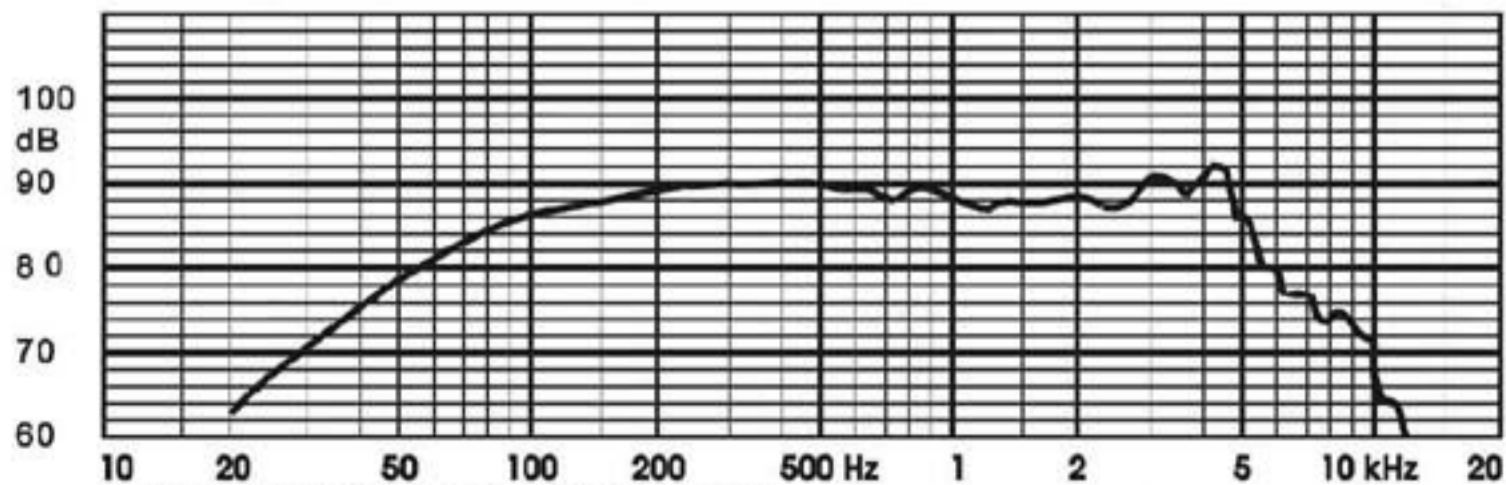
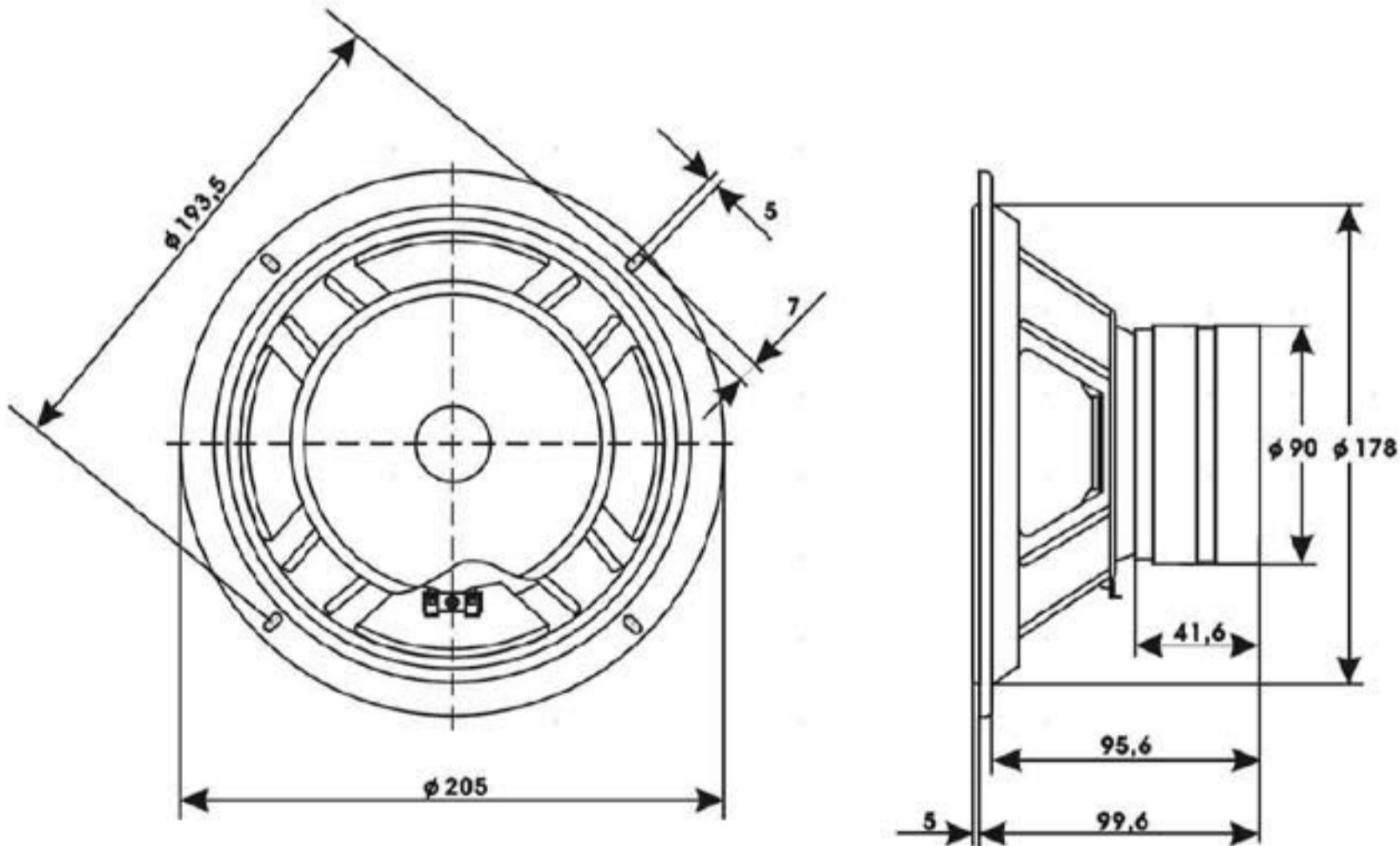
9 5151 162

TECHNICAL DATA

Rated impedance	8	15	Ω
Voice coil resistance	6,3	13,5	Ω
Rated frequency range	50 to 4500		Hz
Resonance frequency	44		Hz
Power handling capacity / enclosure 24 dm ³ , 100 h continuous /	80		W
Max. power	125		W
Sensitivity	88		dB
Flux density	0,98		T
Energy in air gap	388		mJ
Force factor - BI	9,8		Tm
Piston area - SD	0,022		m ²
Total moving mass - MMS	0,023		kg
Compliance /loudspeaker unmounted/ - CMS	0,53 x 10 ⁻²³		m/N
Equivalent box volume - VAS	0,030		m ³
Quality factor /loudspeaker unmounted/			
- mechanical - Q _{MS}	3,9		
- electrical - Q _{ES}	0,41		
- total - Q _{TS}	0,36		
Air - gap	35/4,6/1,62		mm
Voice coil height	8,8	9,6	mm
Magnet			
- material	ferrite		
- dimensions	2 x 90/45/15,5		mm
- mass	2 x 0,35		kg
Mass of loudspeaker	1,6		kg

AVAILABLE VERSIONS

- GDN 20/80/3 - 8 Ω , catalogue number 9 5151 162 16 - black cone
- GDN 20/80/3 - 4 Ω , catalogue number 9 5151 162 17 - black cone



FREQUENCY RESPONSE CURVE

Measured in anechoic room at 1W/1m. Loudspeaker mounted in sealed 24 dm enclosure.

TONSIL

ul. Czerniejewska 11, 62-300 Września

phone/fax: (061) 436 05 70, www.tonsilproducent.pl

1