

# WOOFER GDN 25/80/1

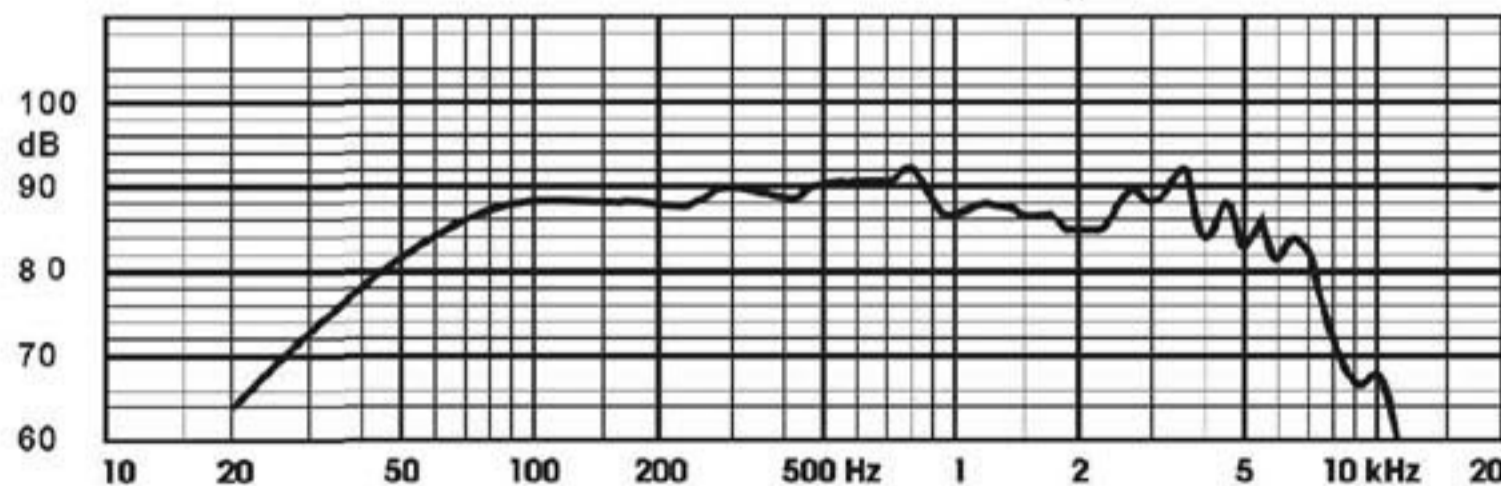
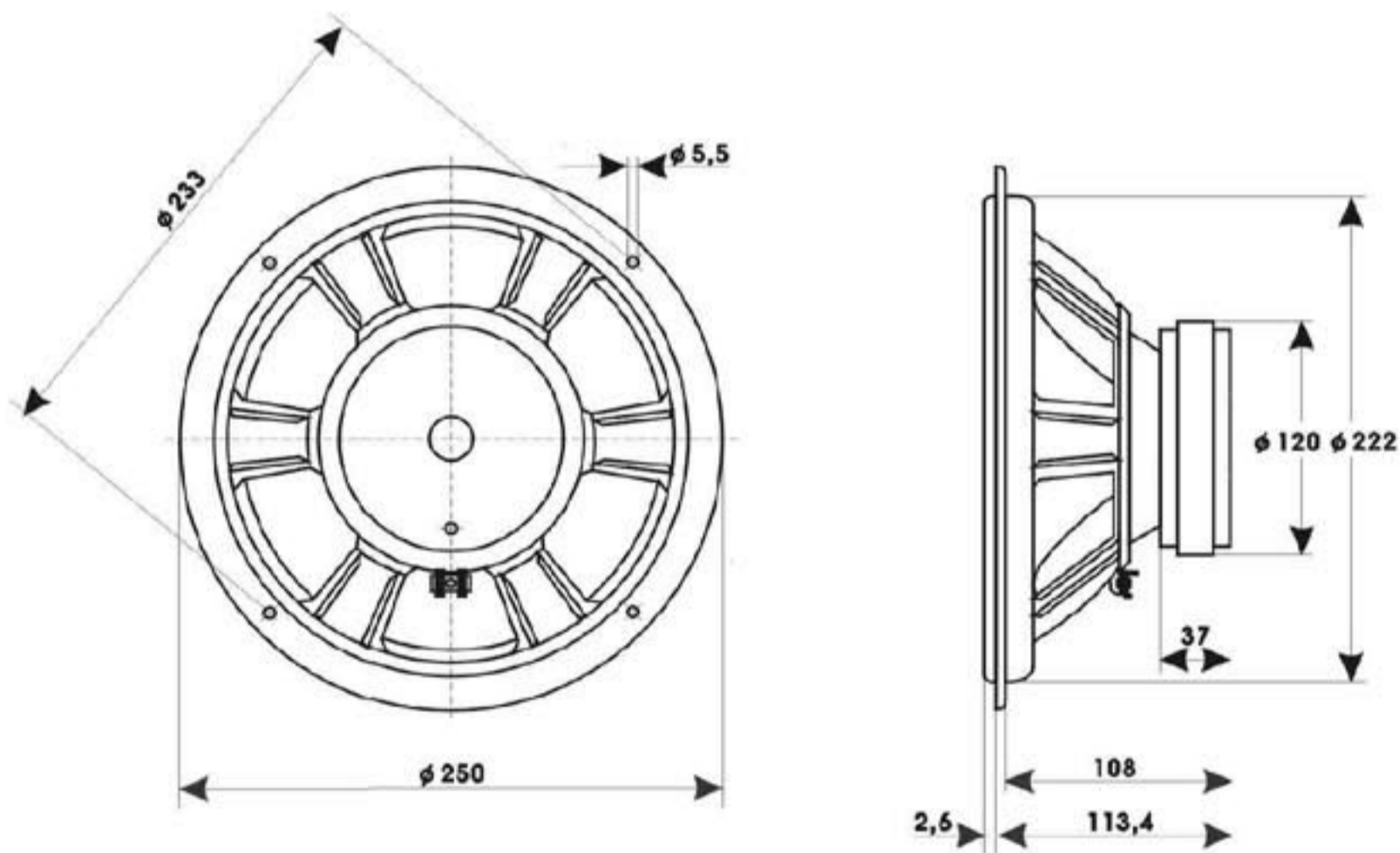
9 5151 119

## TECHNICAL DATA

Rated impedance	8	$\Omega$
Voice coil resistance	6,4	$\Omega$
Rated frequency range	60 to 3000	Hz
Resonance frequency	37	Hz
Power handling capacity / enclosure 35 dm <sup>3</sup> , 100 h continuous /	80	W
Max. power	130	W
Sensitivity	89	dB
Flux density	0,76	T
Energy in air gap	510	mJ
Force factor - Bl	9,8	Tm
Piston area - S <sub>D</sub>	0,033	m <sup>2</sup>
Total moving mass - M <sub>MS</sub>	0,026	kg
Compliance /loudspeaker unmounted/ - C <sub>MS</sub>	71,3 x 10 <sup>-5</sup>	m/N
Equivalent box volume - V <sub>AS</sub>	0,113	m <sup>3</sup>
Quality factor /loudspeaker unmounted/		
- mechanical - Q <sub>MS</sub>	2,6	
- electrical - Q <sub>ES</sub>	0,49	
- total - Q <sub>TS</sub>	0,41	
Air - gap	48/11,2/1,775	mm
Voice coil height	18,5	mm
Magnet		
- material	ferrite	
- dimensions	120/60/18	mm
- mass	0,76	kg
Mass of loudspeaker	2,8	kg

## AVAILABLE VERSIONS

- GDN 25/80/1 - 8  $\Omega$ , catalogue number 9 5151 119 02
- GDN 25/80/1 - 8  $\Omega$ , catalogue number 9 5151 119 04, metalized dust cap



**FREQUENCY RESPONSE CURVE**  
Measured in anechoic room at 1W/1m. Loudspeaker mounted  
in sealed 35 dm<sup>3</sup> enclosure.

# TONSIL

ul. Czerniejewska 11, 62-300 Września  
phone/fax: (061) 436 05 70, [www.tonsilproducent.pl](http://www.tonsilproducent.pl)

