

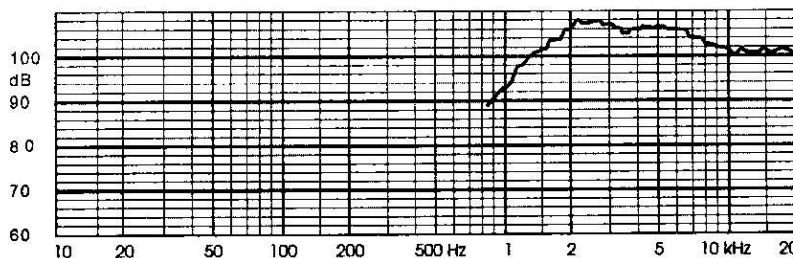
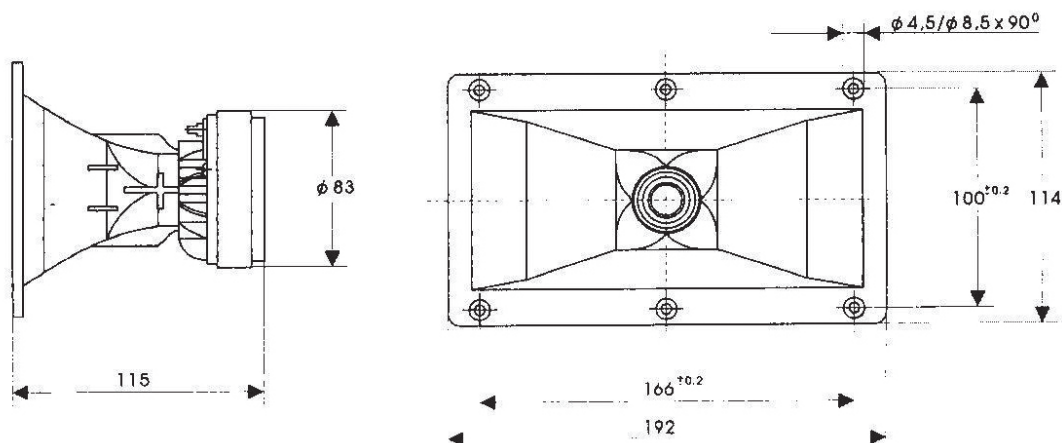
HORN TWEETER LOUDSPEAKER

T-APT 150

Technical data

Rated impedance	8 Ω
Voice coil resistance	6,3 Ω
Rated frequency range	4 to 20 kHz
Power handling	RMS 45W at 3,5 kHz RMS 100W at 5,0 kHz
Sensitivity	
Flux density	1,35 T
Magnet	
- material	ferrite
- dimensions	83 / 31 / 15 mm
- mass	0,36 kg
Mass of loudspeaker	1,0 kg

The loudspeaker has flexible wire leads and an air gap with ferrofluid.



FREQUENCY RESPONSE CURVE

Measured in anechoic room at 1W, 1m, free field.

