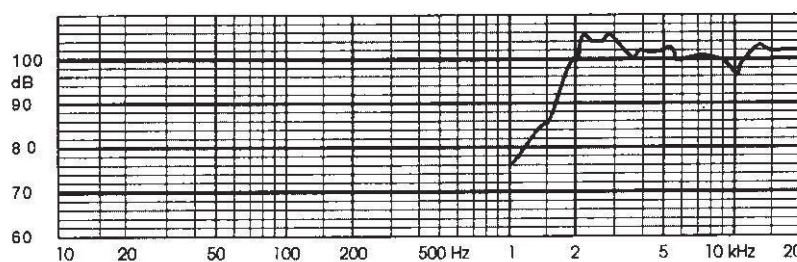
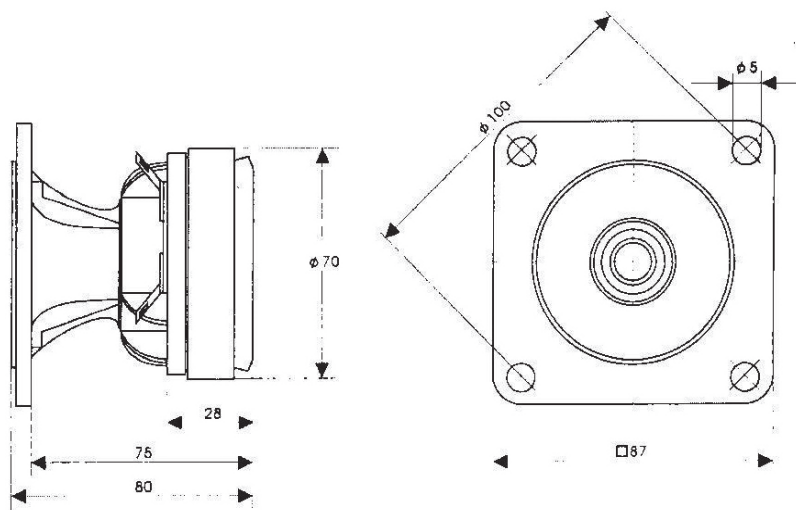


HORN TWEETER LOUDSPEAKER

T-APT 80

Technical data

Rated impedance	8 Ω
Voice coil resistance	6,3 Ω
Rated frequency range	3 to 20 kHz
Power handling	105 dB
Sensitivity	1,29 T
Flux density	
Magnet	
- material	ferrite
- dimensions	70 / 32 / 15 mm
- mass	0,23 kg
Mass of loudspeaker	0,8 kg
The loudspeaker has flexible wire leads and an air gap with ferrofluid.	



FREQUENCY RESPONSE CURVE

Measured in anechoic room at 1W, 1m, free field.

ul. Czerniejewska 11, 62-300 Września

tel./fax 61 436 05 70, kom. 500 273 693, e-mail: ntroszak@tonsilproducent.pl, www.tonsilproducent.pl

REGON 634471214, NIP 789-155-89-99

