

CONE MIDRANGE LOUDSPEAKER GDM 16/150

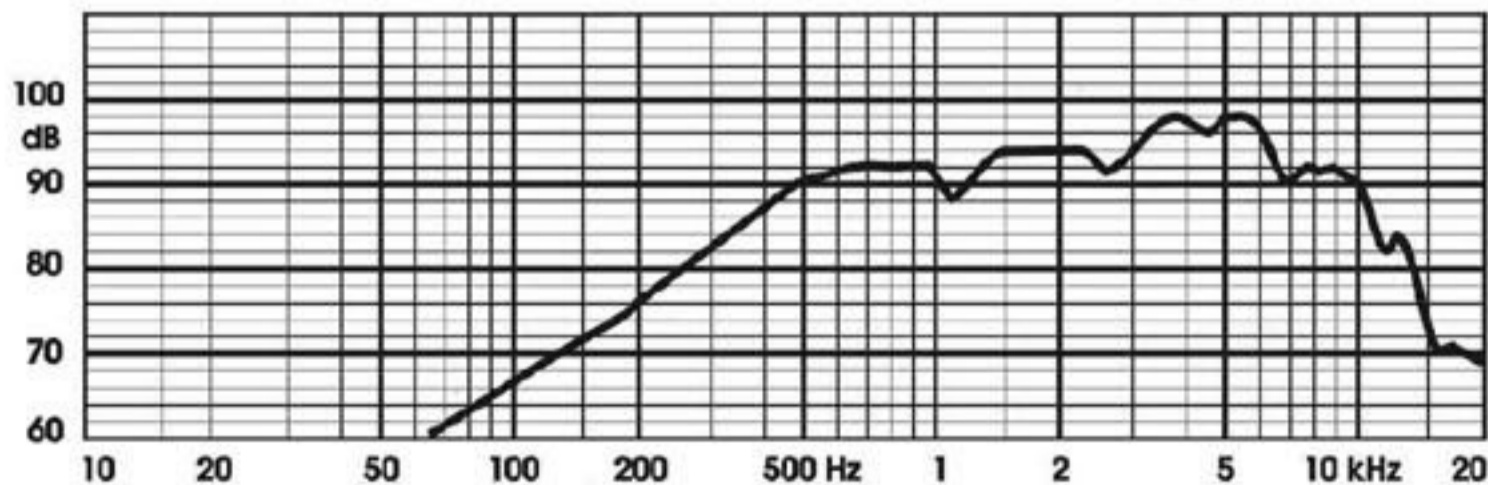
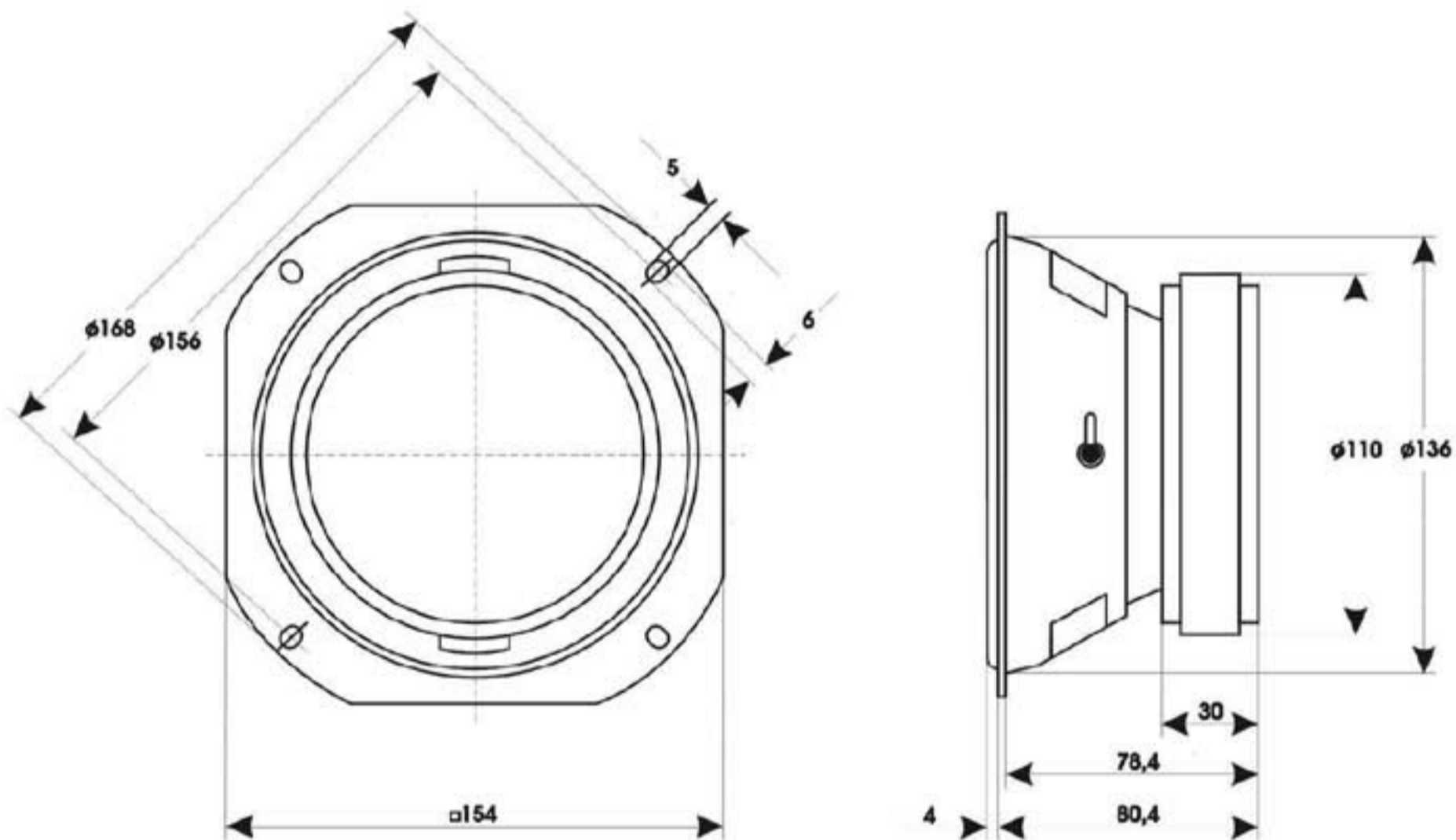
9 5153 052

TECHNICAL DATA

Rated impedance	8 Ω
Voice coil resistance	7,3 Ω
Rated frequency range	0,7 to 9 kHz
Resonance frequency	- kHz
Recommended crossover frequency	1 kHz
Power handling capacity, P1/P2 measured with filter	150/45 W
Max. power	250/60 W
Sensitivity	94 dB
Flux density	1,06 T
Energy in air gap	337,9 mJ
Air - gap	35/6/1,2 mm
Voice coil height	11 mm
Magnet	
- material	ferrite
- dimensions	110/60/18 mm
- mass	0,6 kg
Mass of loudspeaker	1,8 kg

AVAILABLE VERSIONS

- GDM 16/150 - 8 Ω , catalogue number 9 5153 052 01



FREQUENCY RESPONSE CURVE
Measured in anechoic room at 1W/1m. Loudspeaker mounted
in sealed 6,7dm³ enclosure.

TONSIL

ul. Czerniejewska 11, 62-300 Września
phone/fax: (061) 436 05 70, www.tonsilproducent.pl

1