

# WOOFER GDN 20/100/3

9 5151 249

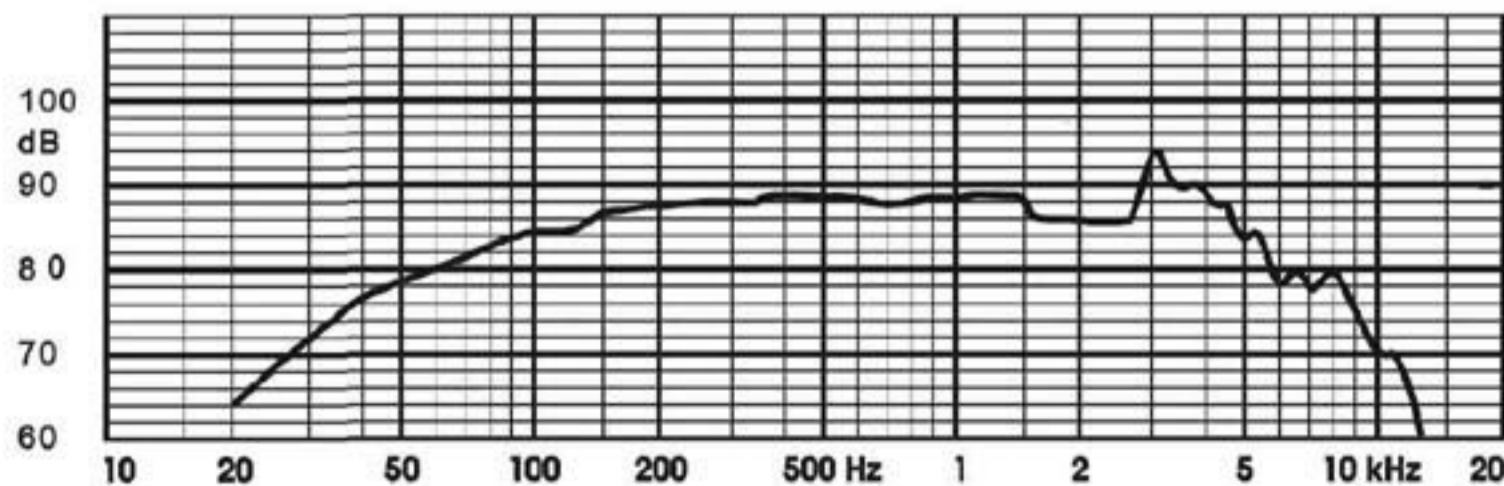
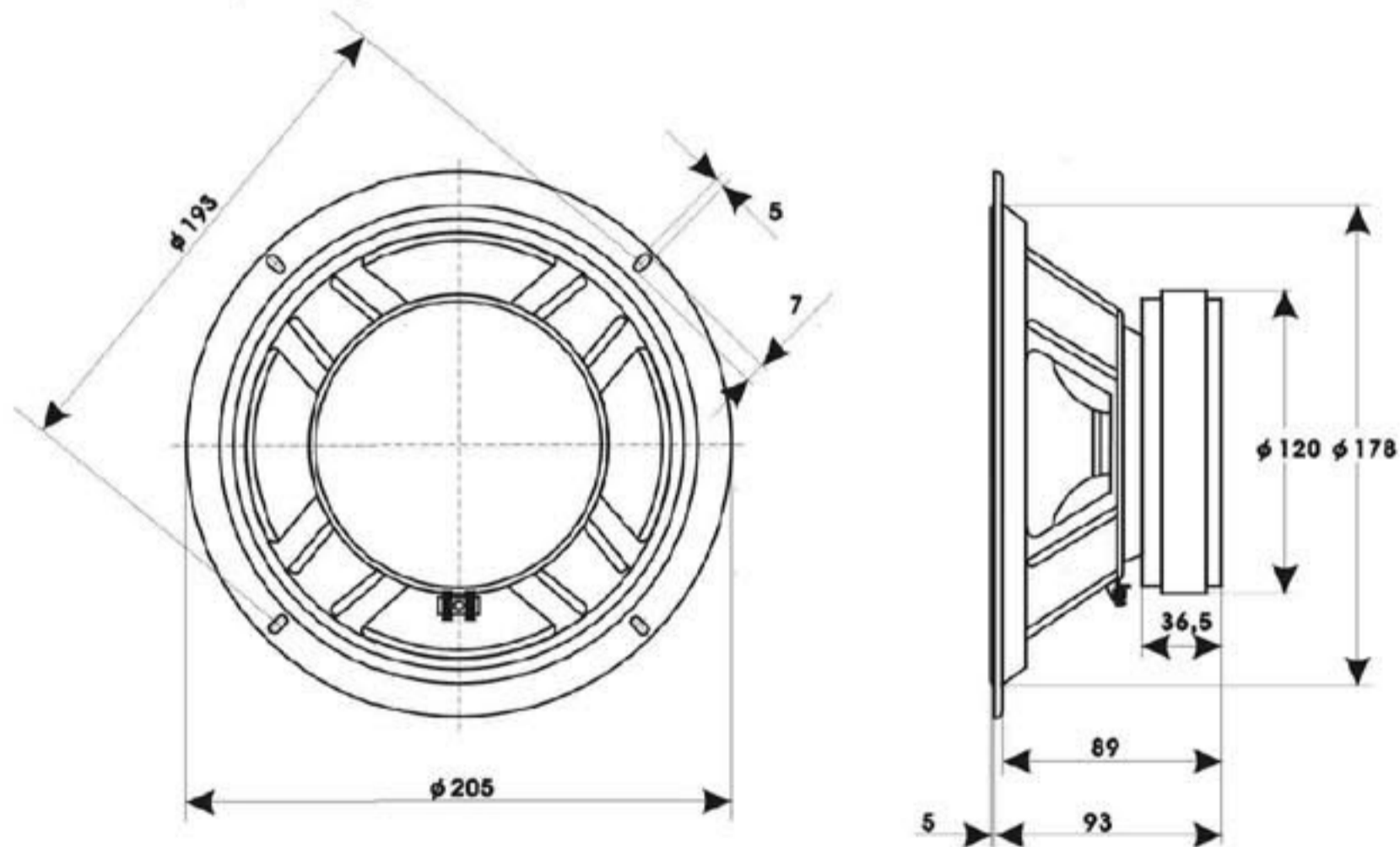
## TECHNICAL DATA

Rated impedance	4	Ω
Voice coil resistance	3,3	Ω
Rated frequency range	55 to 3000	Hz
Resonance frequency	30	Hz
Power handling capacity / enclosure 24 dm <sup>3</sup> , 100 h continuous /	100	W
Max. power	200	W
Sensitivity	89	dB
Flux density	0,86	T
Energy in air gap	380	mJ
Force factor - Bl	8,2	Tm
Piston area - S <sub>D</sub>	0,022	m <sup>2</sup>
Total moving mass - M <sub>MS</sub>	0,029	kg
Compliance /loudspeaker unmounted/ - C <sub>MS</sub>	0,98 x 10 <sup>-3</sup>	m/N
Equivalent box volume - V <sub>AS</sub>	0,084	m <sup>3</sup>
Quality factor /loudspeaker unmounted/		
- mechanical - Q <sub>MS</sub>	4,27	
- electrical - Q <sub>ES</sub>	0,27	
- total - Q <sub>TS</sub>	0,25	
Air - gap	35/8/1,4	mm
Voice coil height	16,5	mm
Magnet		
- material	ferrite	
- dimensions	120/60/18	mm
- mass	0,76	kg
Mass of loudspeaker	2,5	kg

The loudspeaker has a paper cone.  
The loudspeaker is particularly suitable for subwoofers.

### AVAILABLE VERSIONS

- GDN 20/100/3 - 4 Ω, catalogue number 9 5151 249 01 - black cone



### FREQUENCY RESPONSE CURVE

Measured in anechoic room at 1W/1m. Loudspeaker mounted in sealed 24 dm<sup>3</sup> enclosure.

# TONSIL

ul. Czerniejewska 11, 62-300 Września

phone/fax: (061) 436 05 70, [www.tonsilproducent.pl](http://www.tonsilproducent.pl)