

WOOFER GDN 20/40

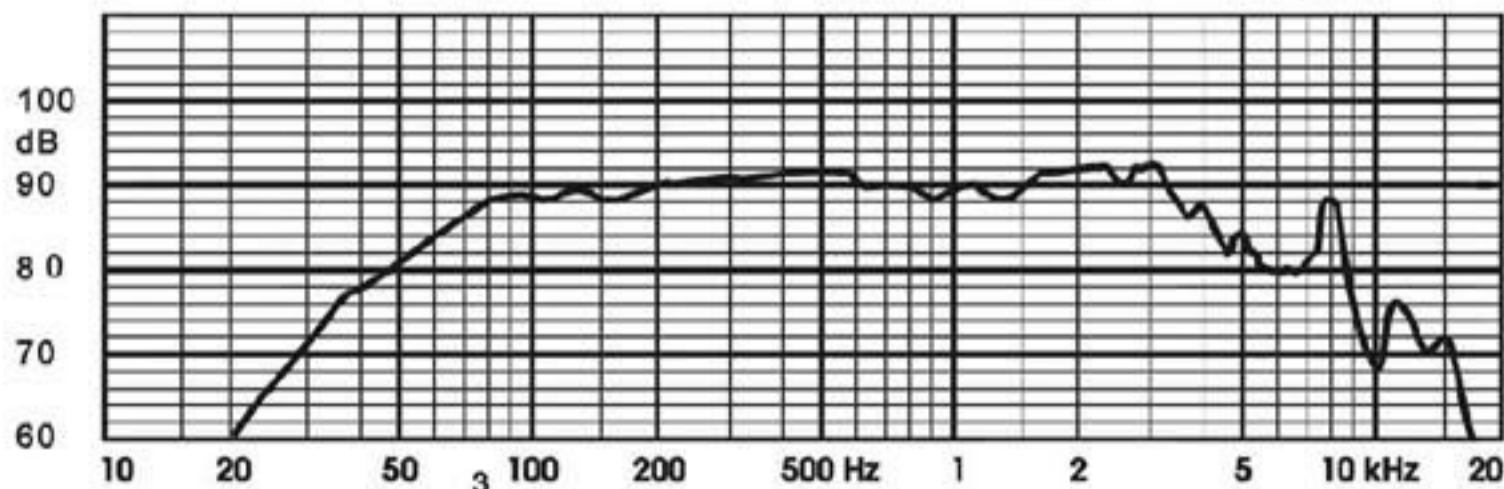
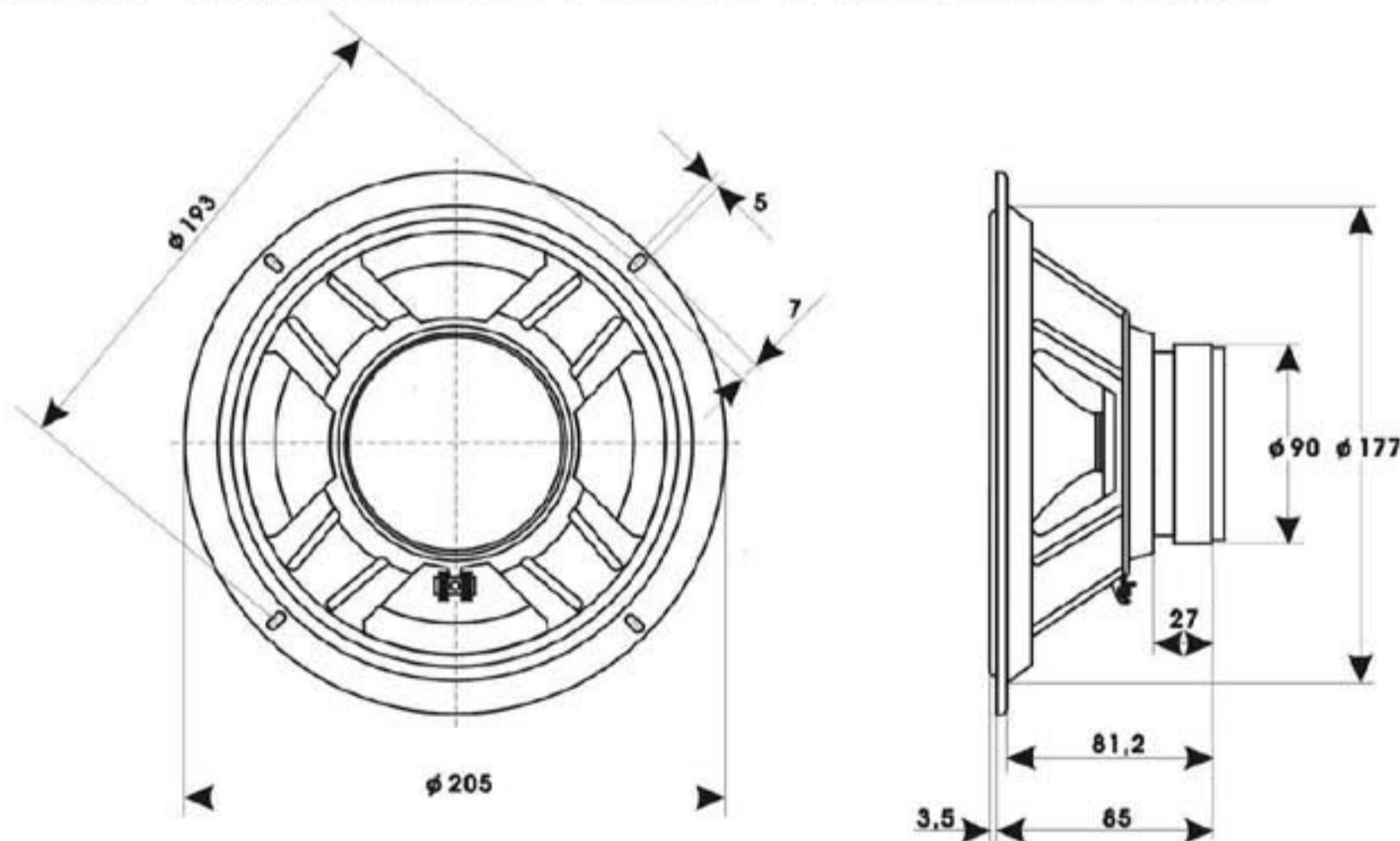
9 5151 002

TECHNICAL DATA

Rated impedance	4	8	Ω
Voice coil resistance	3,2	6,8	Ω
Rated frequency range	45 to 3500		Hz
Resonance frequency	45		Hz
Power handling capacity / enclosure 36 dm ³ , 100 h continuous /	40		W
Max. power	60		W
Sensitivity	90		dB
Flux density	0,65		T
Energy in air gap	188,4		mJ
Force factor - Bl	4,95	6,1	Tm
Piston area - S _D	0,021		m ²
Total moving mass - M _{MS}	0,015		kg
Compliance /loudspeaker unmounted/ - C _{MS}	84 x 10 ⁻⁵		m/N
Equivalent box volume - V _{AS}	0,056		m ³
Quality factor /loudspeaker unmounted/			
- mechanical - Q _{MS}	5,45	6,32	
- electrical - Q _{ES}	0,62	0,9	
- total - Q _{TS}	0,56	0,79	
Air - gap	25/8/1,675		mm
Voice coil height	7	9,6	mm
Magnet			
- material	ferrite		
- dimensions	90/45/13		mm
- mass	0,31		kg
Mass of loudspeaker	1,2		kg

AVAILABLE VERSIONS

- GDN 20/40 - 4 Ω , catalogue number 9 5151 002 05
- GDN 20/40 - 8 Ω , catalogue number 9 5151 002 01
- GDN 20/40/10 - 8 Ω , catalogue number 9 5151 038 01 - metallized glossy dustcap.i



FREQUENCY RESPONSE CURVE
Measured in anechoic room at 1W/1m. Loudspeaker mounted
in sealed 36 dm³ enclosure.

TONSIL

ul. Czerniejewska 11, 62-300 Września
phone/fax: (061) 436 05 70, www.tonsilproducent.pl

1