

WOOFER GDN 25/40/3

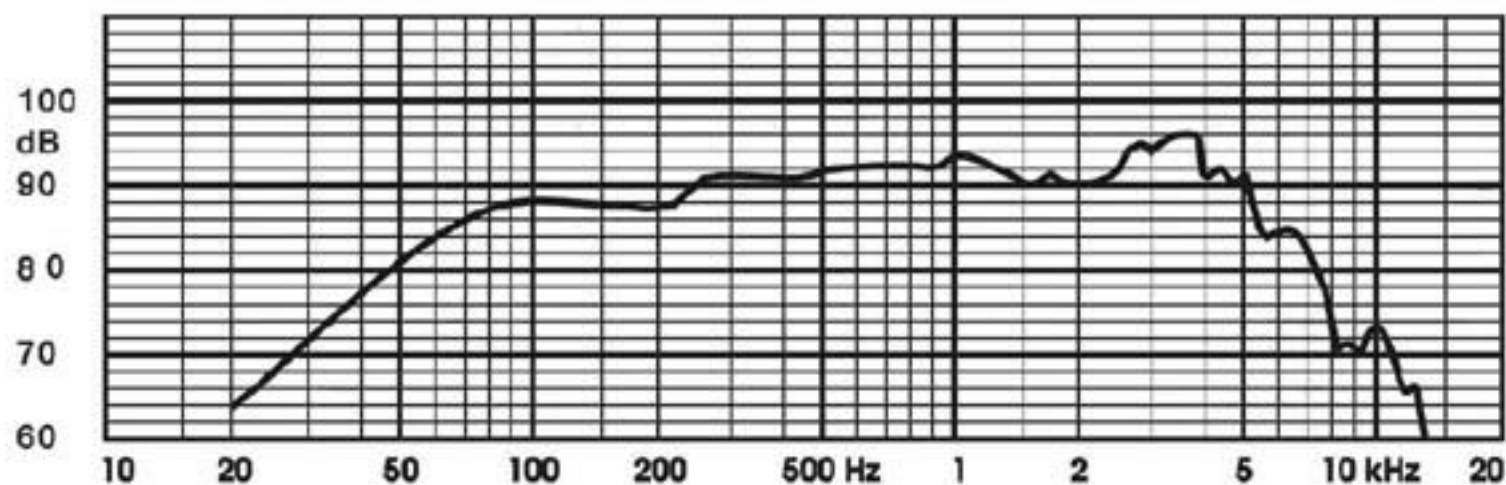
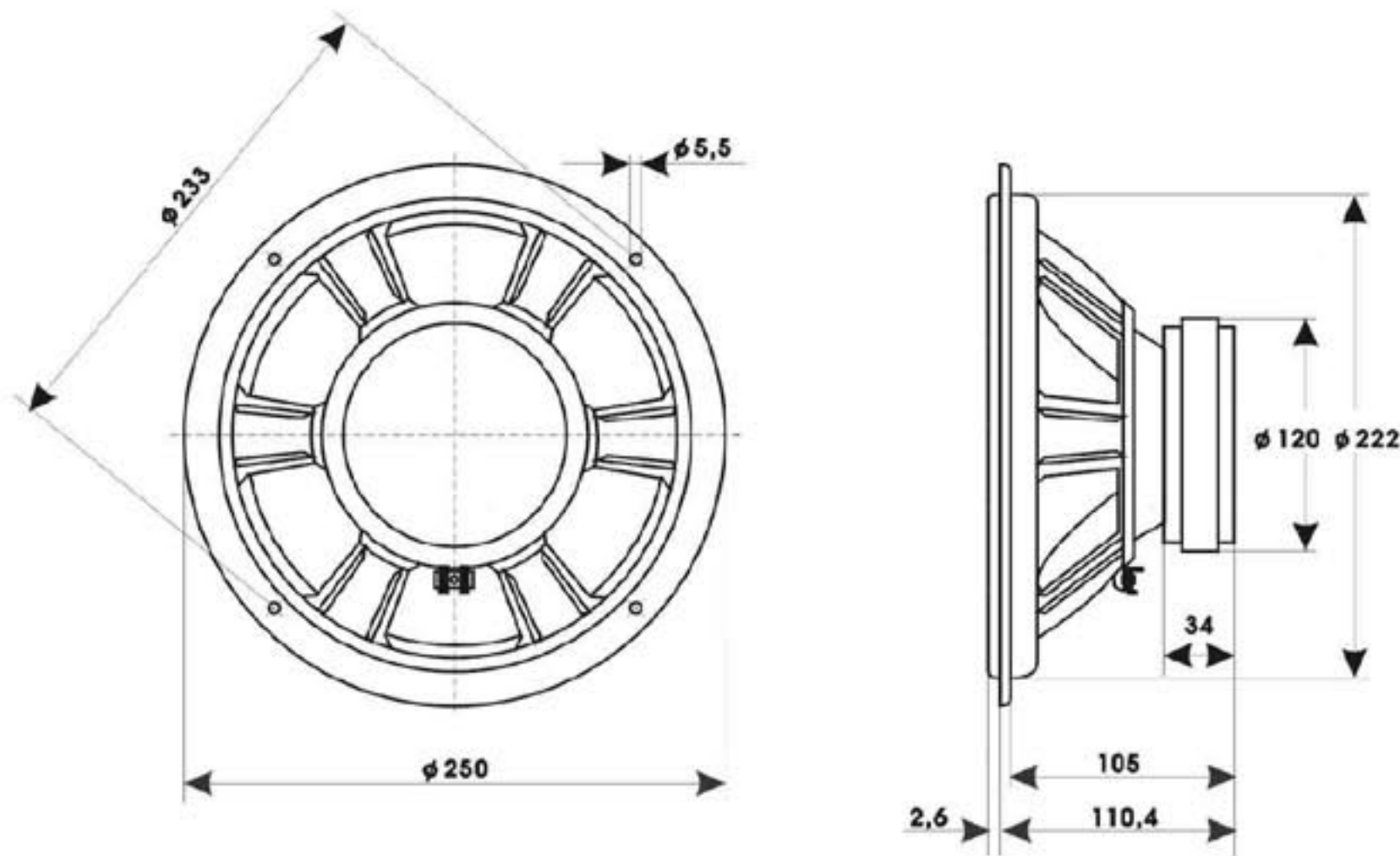
9 5151 003

TECHNICAL DATA

Rated impedance	4 Ω , 8 Ω	Ω
Voice coil resistance	7	Ω
Rated frequency range	60 to 5000	Hz
Resonance frequency	37	Hz
Power handling capacity / enclosure 35 dm ³ , 100 h continuous /	40	W
Max. power	60	W
Sensitivity	92	dB
Flux density	0,81	T
Energy in air gap	486,7	mJ
Force factor - Bl	10,2	Tm
Piston area - S _D	0,033	m ²
Total moving mass - M _{MS}	0,026	kg
Compliance /loudspeaker unmounted/ - C _{MS}	71,3 x 10 ⁻⁵	m/N
Equivalent box volume - V _{AS}	0,11	m ³
Quality factor /loudspeaker unmounted/		
- mechanical - Q _{MS}	2,76	
- electrical - Q _{ES}	0,42	
- total - Q _{TS}	0,36	
Air - gap	48/8/1,5	mm
Voice coil height	13,5	mm
Magnet		
- material	ferrite	
- dimensions	120/60/18	mm
- mass	0,76	kg
Mass of loudspeaker	2,6	kg

AVAILABLE VERSIONS

- GDN 25/40/3 - 8 Ω , catalogue number 9 5151 003 01
- GDN 25/40/3 - 4 Ω , catalogue number 9 5151 003 05



FREQUENCY RESPONSE CURVE
Measured in anechoic room at 1W/1m. Loudspeaker mounted
in sealed 35 dm³ enclosure.