

DOME TWEETER LOUDSPEAKER GDWK 10/80T

9 5155 168

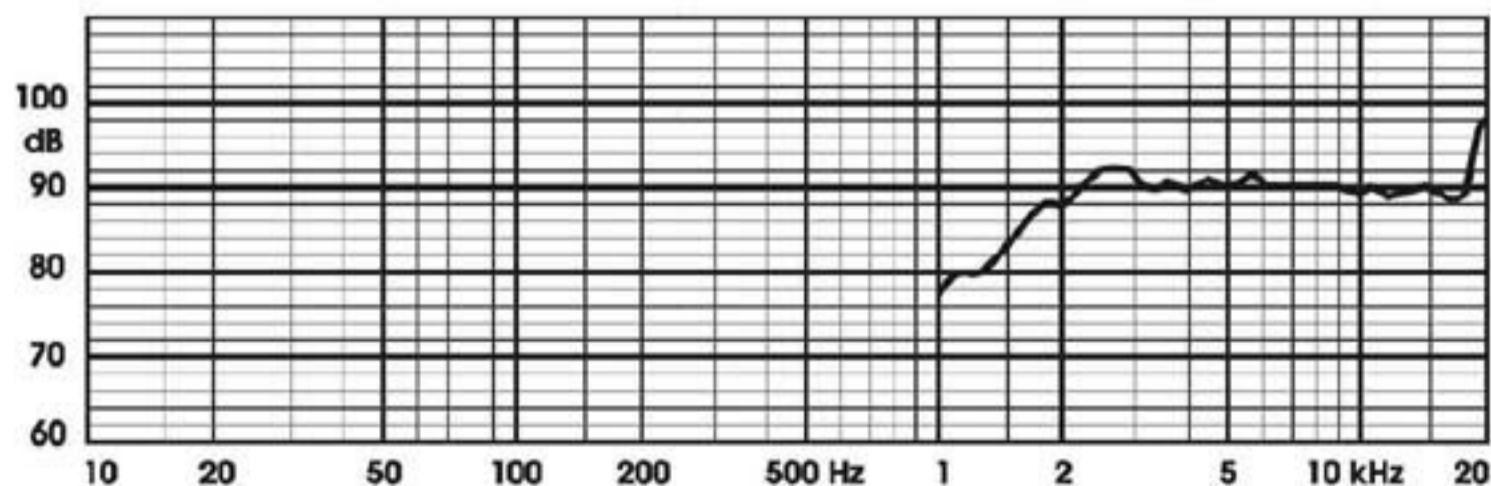
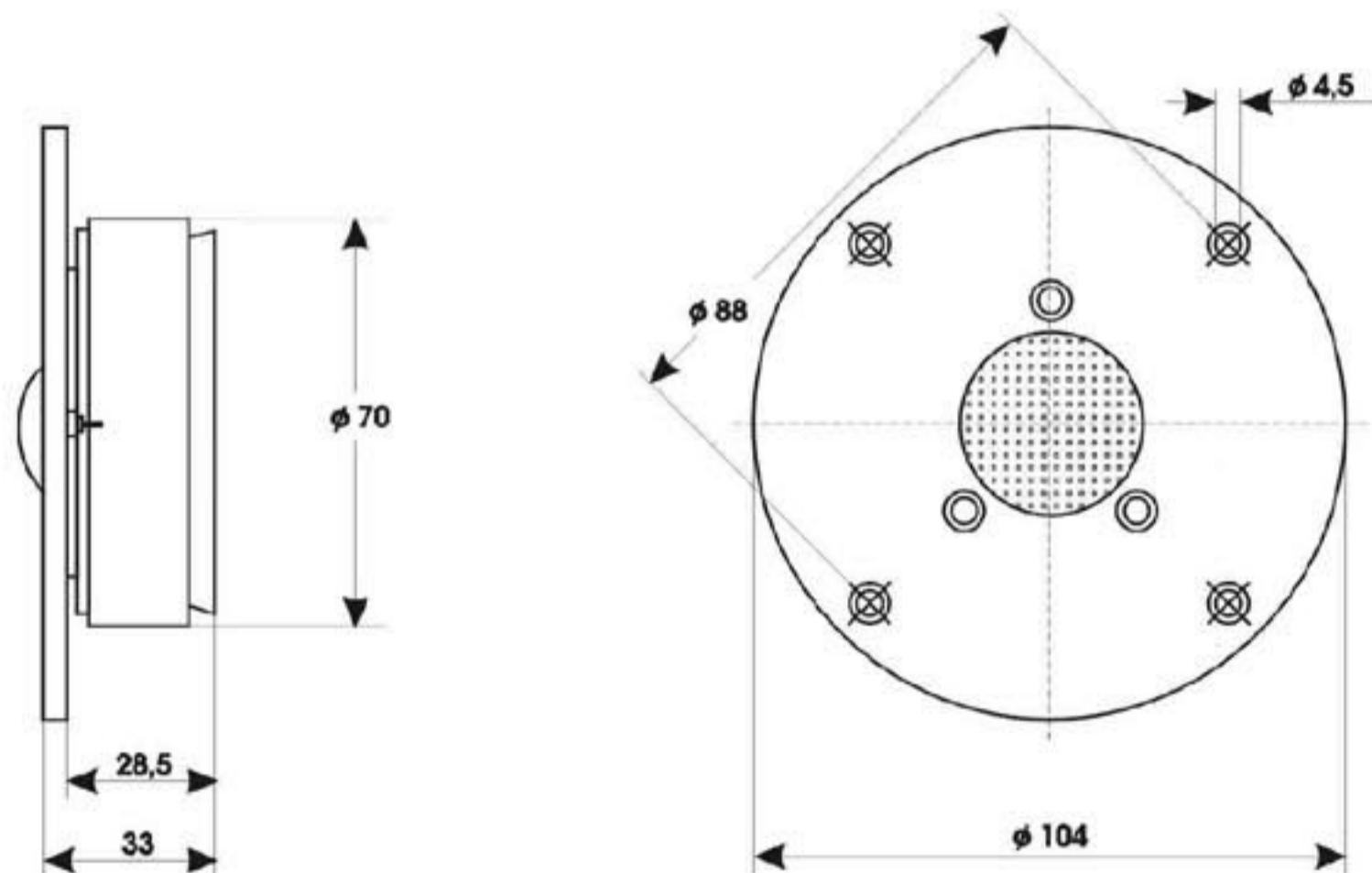
TECHNICAL DATA

Rated impedance	8	15	Ω
Voice coil resistance	6,3	12	Ω
Rated frequency range	4 to 20		kHz
Resonance frequency	-		kHz
Recommended crossover frequency	4,8		kHz
Power handling capacity, P1/P2 measured with filter	80/4		W
Max. power	160/8		W
Sensitivity	90		dB
Flux density	1,16		T
Energy in air gap	104,6		mJ
Air - gap	25/3/0,745		mm
Voice coil height	1,9	2,5	mm
Magnet			
- material	ferrite		
- dimensions	70/32/10		mm
- mass	0,23		kg
Mass of loudspeaker	0,6		kg

Membrane material - titanium

AVAILABLE VERSIONS

- GDWK 10/80T - 8 Ω , catalogue number 9 5155 168 01
- GDWK 10/80T - 15 Ω , catalogue number 9 5155 168 02



FREQUENCY RESPONSE CURVE
Measured in anechoic room at 1W/1m. Loudspeaker mounted on IEC baffle.