

DOME TWEETER LOUDSPEAKER GDWK 7/50/19

9 5155 103

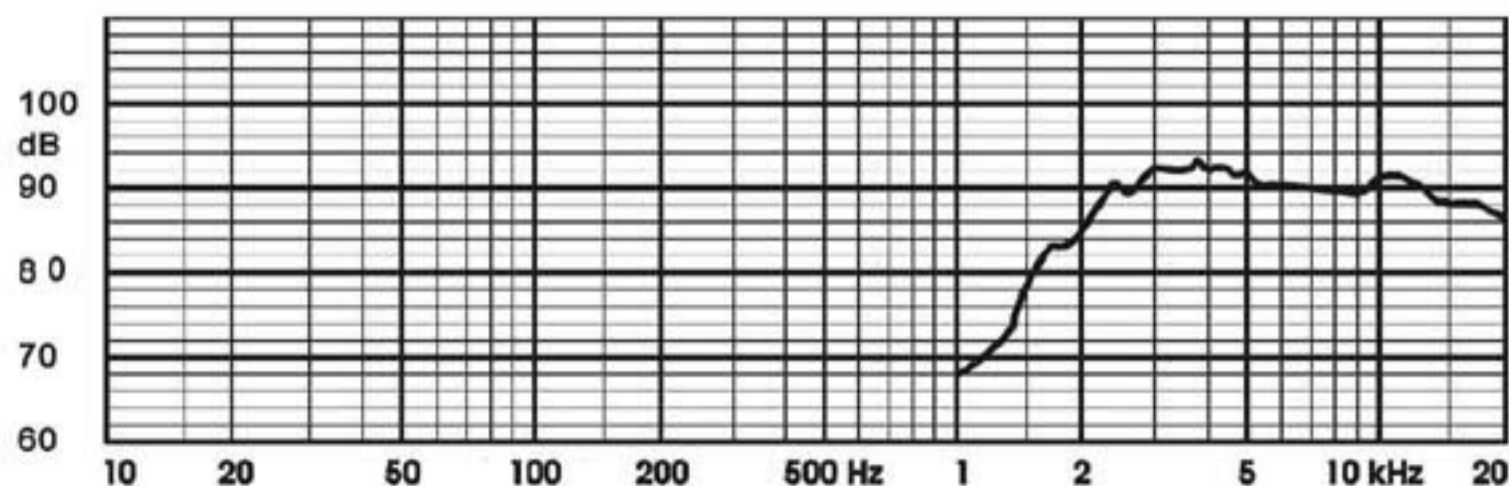
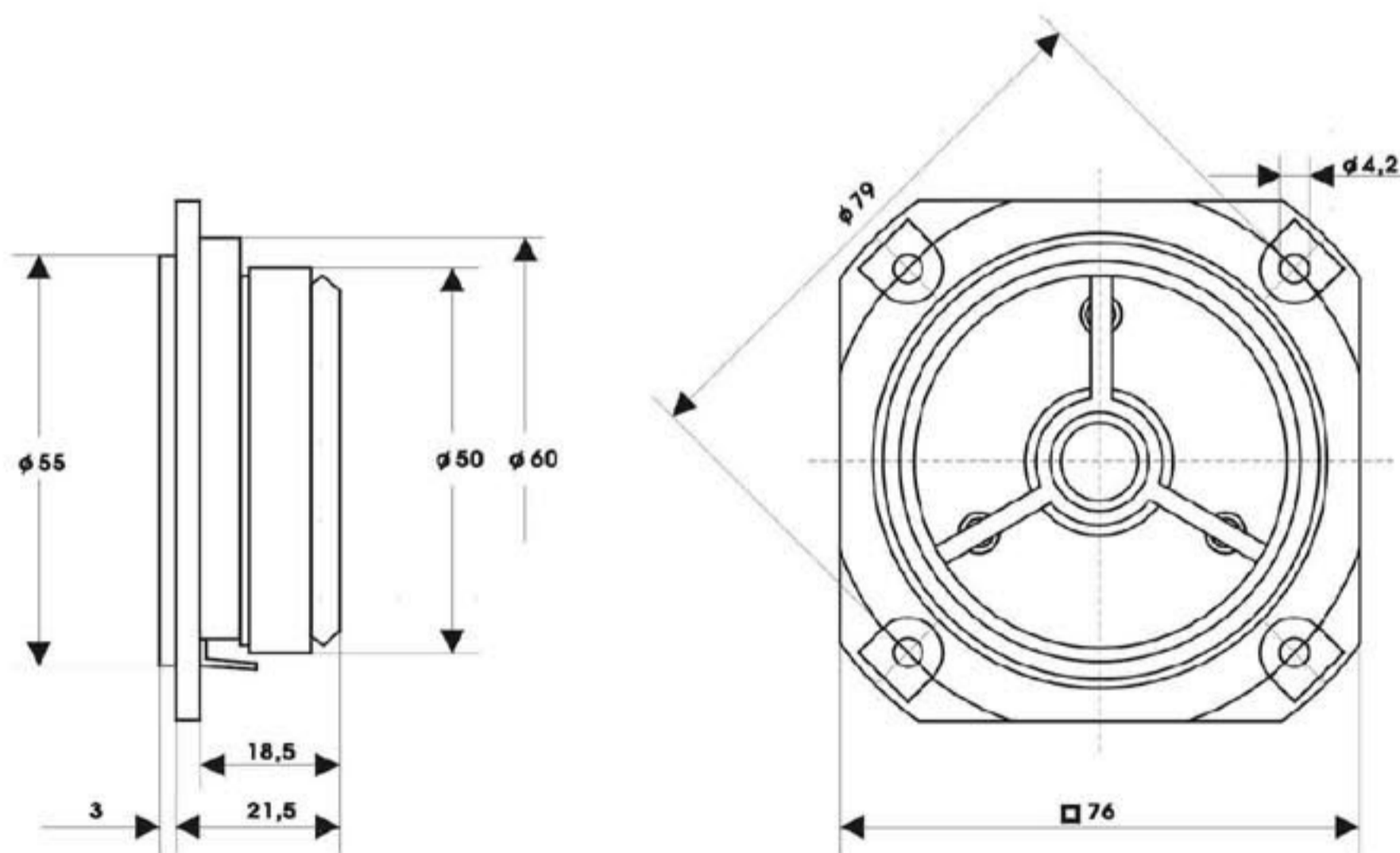
TECHNICAL DATA

Rated impedance	8	Ω
Voice coil resistance	6,3	Ω
Rated frequency range	4 to 20	kHz
Resonance frequency	2,4	kHz
Recommended crossover frequency	7	kHz
Power handling capacity, P1/P2 measured with filter	50/1,5	W
Max. power	100/3	W
Sensitivity	89	dB
Flux density	1	T
Energy in air gap	32	mJ
Air - gap	18/2/0,7	mm
Voice coil height	1,3	mm
Magnet		
- material	ferrite	
- dimensions	50/22/8	mm
- mass	0,063	kg
Mass of loudspeaker	0,25	kg

The loudspeaker has flexible wire leads and.
Membrane material - polyamide.

AVAILABLE VERSIONS

- GDWK 7/50/19 - 8 Ω , catalogue number 9 5155 103 01



FREQUENCY RESPONSE CURVE
Measured in anechoic room at 1W/1m. Loudspeaker mounted
on IEC baffle