

HORN TWEETER LOUDSPEAKER GDWT12-19/100 FP

9 5155 100

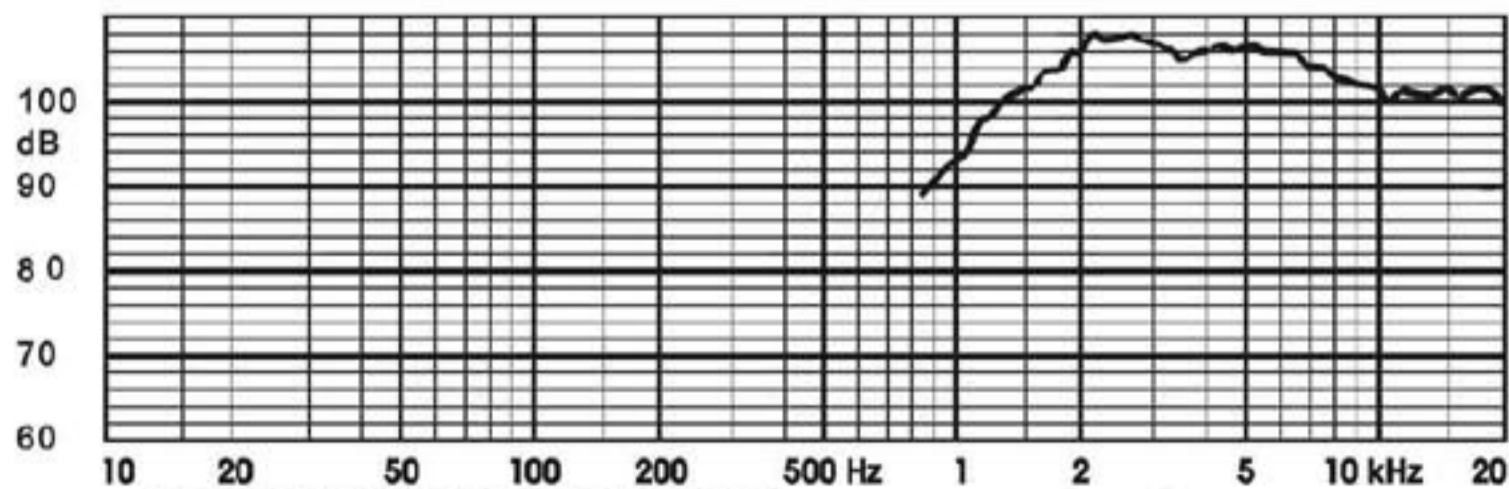
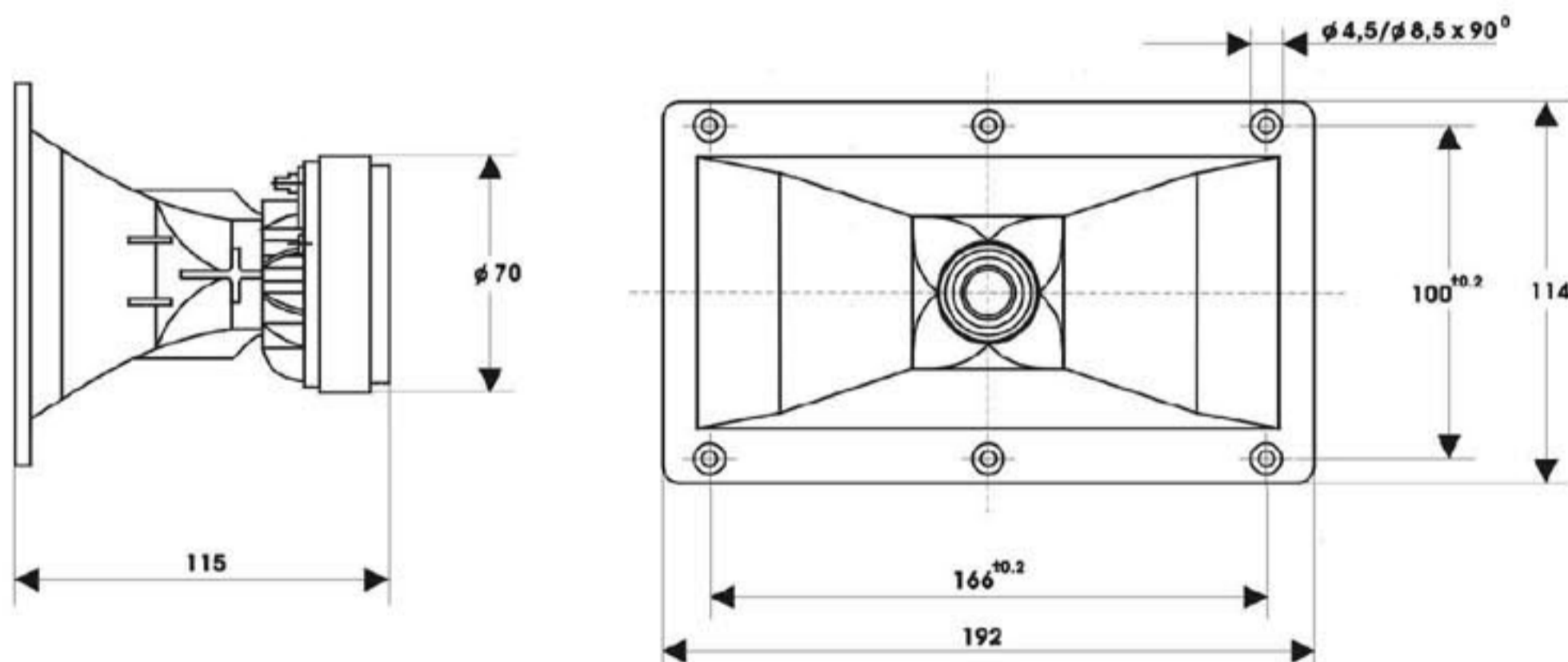
TECHNICAL DATA

Rated impedance	8	Ω
Voice coil resistance	6,3	Ω
Rated frequency range	4 to 20	kHz
Resonance frequency	-	kHz
Recommended crossover frequency	4,5	kHz
Power handling capacity, P1/P2, measured with filter,	100/7	W
Max. power	200/15	W
Sensitivity	102	dB
Flux density	1,29	T
Energy in air gap	119,5	mJ
Air - gap	25/3,0/0,745	mm
Voice coil height	1,8	mm
Magnet		
- material	ferrite	
- dimensions	70/32/15	mm
- mass	0,23	kg
Mass of loudspeaker	0,85	kg

The loudspeaker has flexible wire leads and an air gap with ferrofluid.

AVAILABLE VERSIONS

- GDWT 12-19/100 FP Ω 8 , catalogue number 9 5155 100 03



FREQUENCY RESPONSE CURVE
Measured in anechoic room at 1W, 1m, free field.