

HORN TWEETER LOUDSPEAKER GDWT 9/80

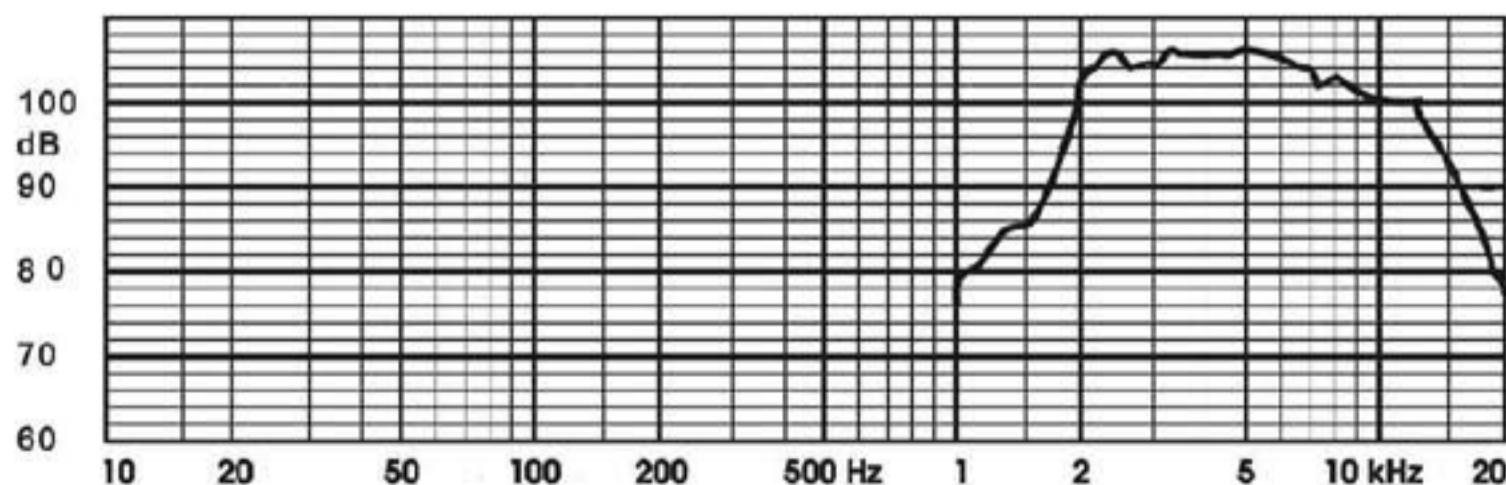
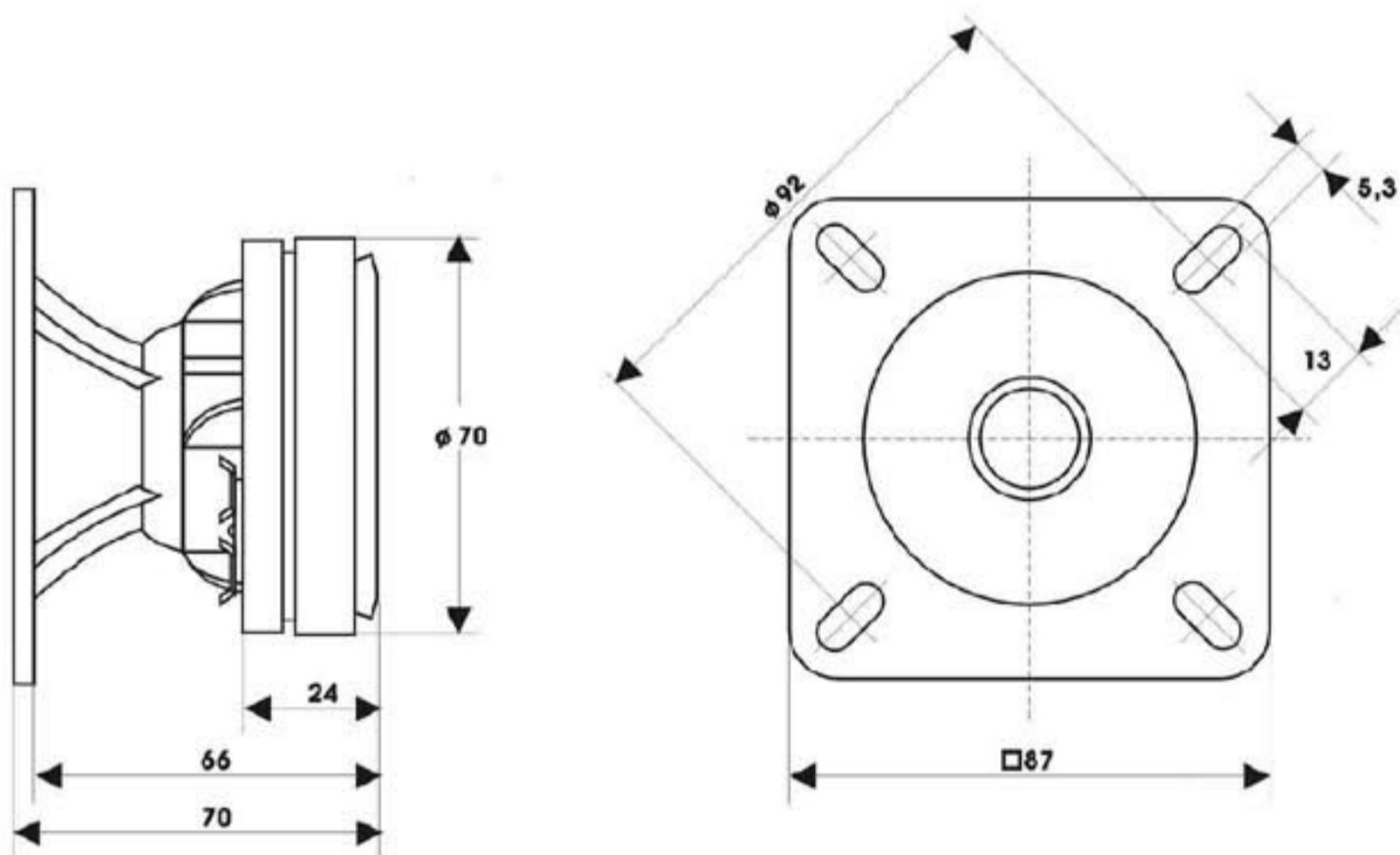
9 5155 001

TECHNICAL DATA

Rated impedance	4	8	Ω
Voice coil resistance	2,9	6,3	Ω
Rated frequency range	4 to 14		kHz
Resonance frequency	1,6		kHz
Recommended crossover frequency	4,5		kHz
Power handling capacity, P1/P2 measured with filter	80/2,5		W
Max. power	160/5		W
Sensitivity	102	100	dB
Flux density	1,16		T
Energy in air gap	106		mJ
Air - gap	25/3/0,815		mm
Voice coil height	3	1,9	mm
Magnet			
- material	ferrite		
- dimensions	70/32/10		mm
- mass	0,16		kg
Mass of loudspeaker	0,5		kg

AVAILABLE VERSIONS

- GDWT 9/80 - 4 Ω , catalogue number 9 5155 001 45
- GDWT 9/80 - 8 Ω , catalogue number 9 5155 001 05
- GDWT 9/80/3 - 8 Ω , catalogue number 9 5155 026 03
- GDWT 9/80/4 - 8 Ω , catalogue number 9 5155 026 01



FREQUENCY RESPONSE CURVE
Measured in anechoic room at 1W/1m, free field.